



PT **KartridgPak**
Packaging and Processing Systems

Chub Packaging Machinery

Continuous Motion Built to Last

Rugged waterproof construction consisting of stainless steel and plated metals delivers extended operating life. This durable construction and smooth, continuous-motion design ensures maximum uptime, producing one quality package after another.

- Film is pulled via drive wheels over a shouldered forming collar or folder
- As the film is formed into a tube, the overlap is sealed, product is pumped through a mandrel (A) into the formed tube (B)
- Sizing parts are used to determine package diameter
- Clips are applied and a knife separates the clipped packages into individual chubs

In-line Clipping

KartridgPak invented in-line clip forming and application in order to save you money. The latest design allows clip forming and application in one motion, eliminating separate steps for clip transfer or positioning.

Money-Saving Flexibility

Because of all efforts at Packaging Technologies are exclusively dedicated to the manufacture of innovative packaging machinery, our customers are free to choose consumable suppliers ideally suited to their needs for price, quality and specific applications.

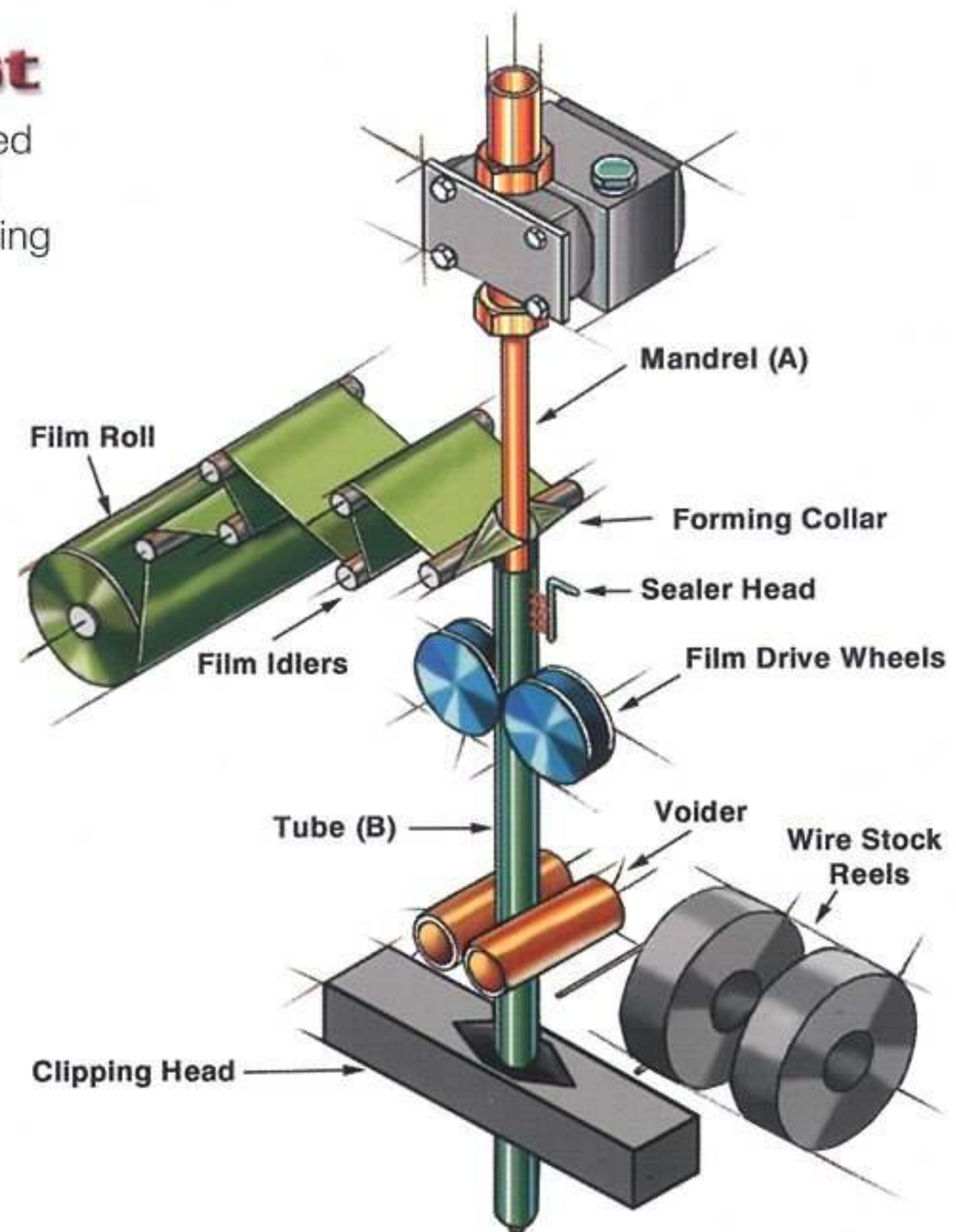
New Technology and Expanded Service Capacity Extend 56 Years of World Leadership

Superior engineering and unmatched application expertise have long made KartridgPak the recognized worldwide leader in continuous chub packaging technology.

Properly customized to your specific applications, our equipment is certain to help you process higher volumes at lower costs than ever before. And, like all machinery from KartridgPak, our CHUBMAKER delivers every day durability and maintenance ease that reduces downtime, speeds changeovers and produces a rapid return on your investment.

ISO Certified

Simply stated, the ISO 9001 designation earned by Packaging Technologies means you can be certain that our systems and products exceed the highest worldwide manufacturing standards. It's just one more example of our commitment to Total Systems Support.



Total Systems Support

KartridgPak customers know to rely on the Packaging Technologies four step commitment to Total Systems Support.

Step 1: Project Planning and Financing

Pre-sales project planning and design consultation in your plant . . . to facilitate accurate quotations and good communications.

Step 2: In-House Engineering

Experienced in-house engineering expertise . . . to meet or exceed your specific application requirements.

Step 3: In-House Manufacturing

State of the art in-house manufacturing on two continents . . . to maximize flexibility and efficiency.

Step 4: Aftermarket Support

Phone support available to guarantee responsiveness to customers around the world.

Versatile and Cost-Effective, the Uses of KartidgPak Chub Packaging Machinery Keep Growing

From fluids to high-viscosity paste and ground meats, there's no end to the cost-cutting applications of chub packaging machinery. Today's innovative uses include:

Food Applications

- Cream Cheese
- Cookie Dough
- Butter
- Vegetables
- Shortening
- Polenta
- Liverwurst
- Processed Cheese
- Ground Meat
- Pet foods
- Marzipan
- Marmalade
- Ice Cream
- Pork Sausage
- Processed Meat
- Stuffings

Institutional

- Mashed and Au Gratin Potatoes
- Gravies
- Soups
- Sauces
- Dressing

Industrial Applications

- Caulks
- Sealants
- Adhesives
- Dental Impression Material
- 2-Part Resin Bolts
- Explosives

CHUBMAKER

IMPORTANT FEATURES

- Simplified film handling
- Graphic readout of operating conditions
- 40+ ppm with clutch brake
- Improved registration
- PLC Control
- Overload protection of clipping head
- 10 recipe memory available



CHUBMAKER

Economy

Design innovations from KartridgPak significantly reduce packaging material costs. The key? Instead of using pre-formed clips, our in-line process forms and places clips sourced from economical wire stock reels. Use of flat roll stock, rather than pre-formed tubing adds to your savings. Our unique voiding system removes the product from the area where the clips are being applied, making tight clean package ends.

Quality

Our ability to eliminate head space improves packaging appearance and reduces film costs. What's more, there are materials available that provide excellent barrier properties against oxygen, light and moisture, ensuring product quality and maximizing shelf life. Packages can be constructed to reduce waste volume for your customers.

Productivity

Our proven in-line clipping head has eliminated nearly 40% of the parts previously required to cut, form and place the clips. This design simplicity translates into rugged operation and fewer lost hours of production. Your productivity is further enhanced by our advanced film handling. This exclusive system provides second package registration, as well as rapid film roll change. Productivity is maintained by sequentially shutting down machine functions, which preserves side-seal integrity and reduces film waste. The end result: quality packaging for as little as a fraction of a cent per package.

CHUBMAKER

Description	3000	4000
PPM Min/Max	15-120	15-120
Machine Control	PLC	PLC
Available Seal Methods	Heated Air, RF, Extrusion	Heated Air, RF, Extrusion
Diameter Range [†]	1/2" - 3 1/4"	5/8" - 4 1/8"
Std. Length Range	4" - 12"*	4" - 12"*
Maximum Fill Sealing Speed	1,200 in./minute**	1,200 in./minute**

* Up to 40" w/optional clutch brake. Packages shorter than 4" available by request.

** Depends on film type and characteristics

† Other diameter ranges available by request

One name to learn, three names you trust.

A World of Expertise

- KartridgPak pioneered chub packaging machinery in 1944.
- Since 1944, we've been designing and manufacturing the highest quality chub packaging machinery.
- Our product innovations include quality control sensors, electronic analyzing device integration, servo drives, touch screen controls, a new clipping process and unique sequential stop process.
- On-staff applications engineers possess a diverse range of experience, from processed foods to caulks, adhesives and explosives.
- We work in partnership with companies of all sizes, from local and regional processing manufacturers to Fortune 500 companies.
- Our experienced engineers and sales team work closely with customers to develop just the right solutions for cost-effective production.
- KartridgPak machines are hard at work on six continents, worldwide. Our professional network of sales and service team members are positioned to provide rapid customer support.
- We are there for you. From installation, start-up and training, to parts support and technical service, we are nearby, accessible and dedicated to serving your needs.
- To assure customers rapid availability, we ship most KartridgPak parts same day or next day air.
- Our worldwide distributor network means you can count on your Packaging Technologies' representative to speak your language, know your customs and ways of doing business.
- After hours support and internet presence gives you immediate access to our technical service staff.

Call for more information about chub packaging samples, or a no-cost, no-obligation analysis of your needs for packaging and processing systems.



While our new company name, Packaging Technologies, may not yet be well known, our three operating units listed and described below have well-established reputations as market leaders in the packaging and processing markets they serve. You can rely on Packaging Technologies for a diverse selection of superbly engineered, technologically advanced and reliably constructed machinery.

PT KartridgPak Packaging and Processing Systems

Worldwide leader in the production of flexible packaging systems used in the manufacture of high viscosity foods, caulks, sealants and other industrial products; fat analysis systems, smoke generators, and deboning equipment.



PT KP Aerofill Aerosol and Filling Systems

Worldwide leader in the production of aerosol and rotary liquid fill systems; complete line integration; and rotary base aerosol crimpers, gassers/shakers and liquid fillers.



PT Holmatic Filling and Sealing Systems

Worldwide leader in the design and production of linear and rotary filling, sealing and lidding systems; and patented, vacuumless, fully integrated Modified Atmosphere Packaging systems.



PT KartridgPak Packaging and Processing Systems

807 West Kimberly Road
P.O. Box 3848
Davenport, IA 52808-3848 USA
Phone: (800) 257-5622
(319) 391-1100
Fax: (319) 391-0017
Web: www.packt.com

Ronald Close
Woburn Rd. Ind. Est.
Kempston, Bedford
England MK42 7SH
Phone: (44) 1234-840211
Fax: (44) 1234-843999
Web: www.packt.com