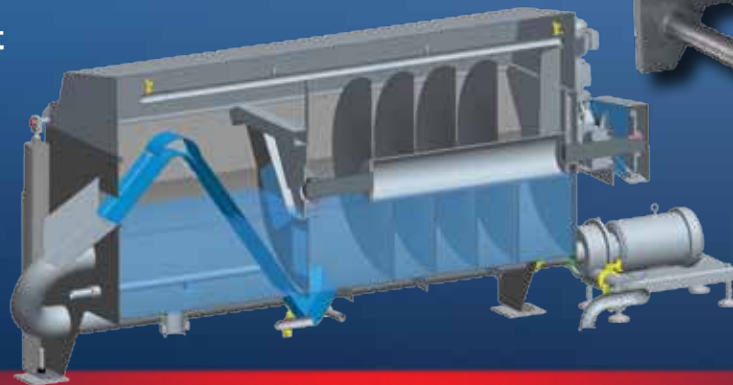




DOUBLE Capacity & REDUCE CIP with Lyco's **Clean-Flow Jr.**

- Double Capacity in **less space** with Hydro-Flow®
- CIP (Clean-Up Time) typically reduced from hours to **15 minutes**
- Hydro-Flow® = uniform cook/cool
- High Recovery (5-15%)
- Lower initial investment & daily operating cost

Water Plenum Discharge dramatically improves sanitation



Applications include any small diameter product

LYCO
Manufacturing, Inc.

Leaders in Food Processing Innovation

(920) 623-4152 • www.lycomfg.com

As a leader in food processing equipment,
Lyco's focus is on improving our customer's
ROI through innovative designs.

**Add to your Clean-Flow Jr.
savings with our
Easy-Flow Cooler**



- Works on Particulates
- Very High Capacity
- Stop the Cook in 7 Sec.

Call today –
(920) 623-4152 • www.lycomfg.com

LYCO
Manufacturing, Inc.

Leaders in Food Processing Innovation

P.O. Box 31
115 Commercial Drive
Columbus, WI 53925
920-623-4152

www.lycomfg.com

Call now for a FREE demo!

